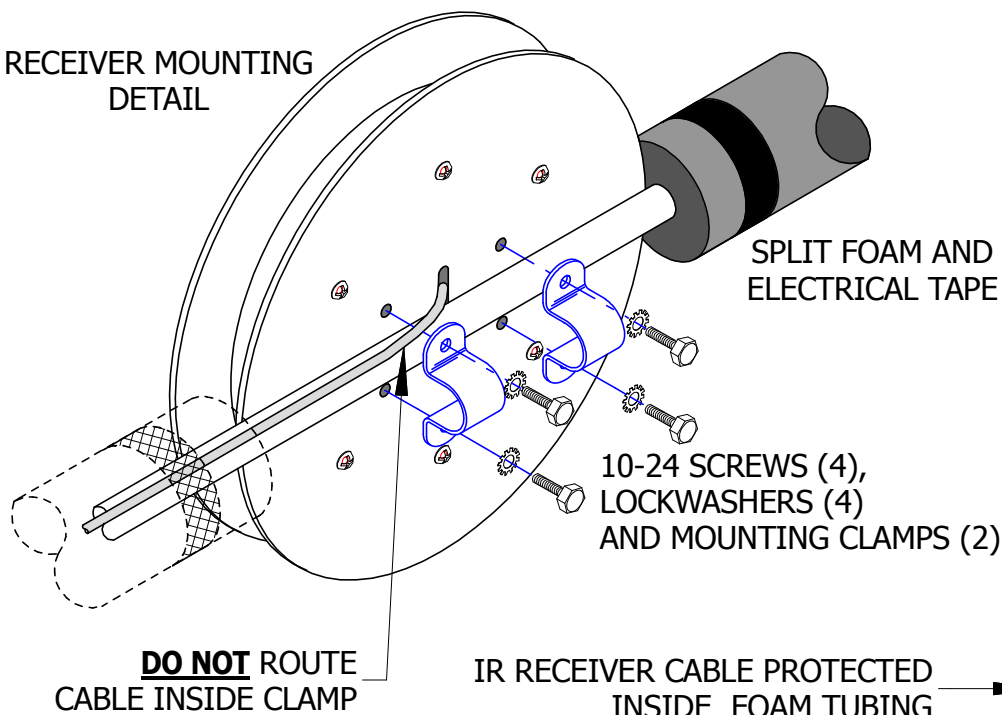
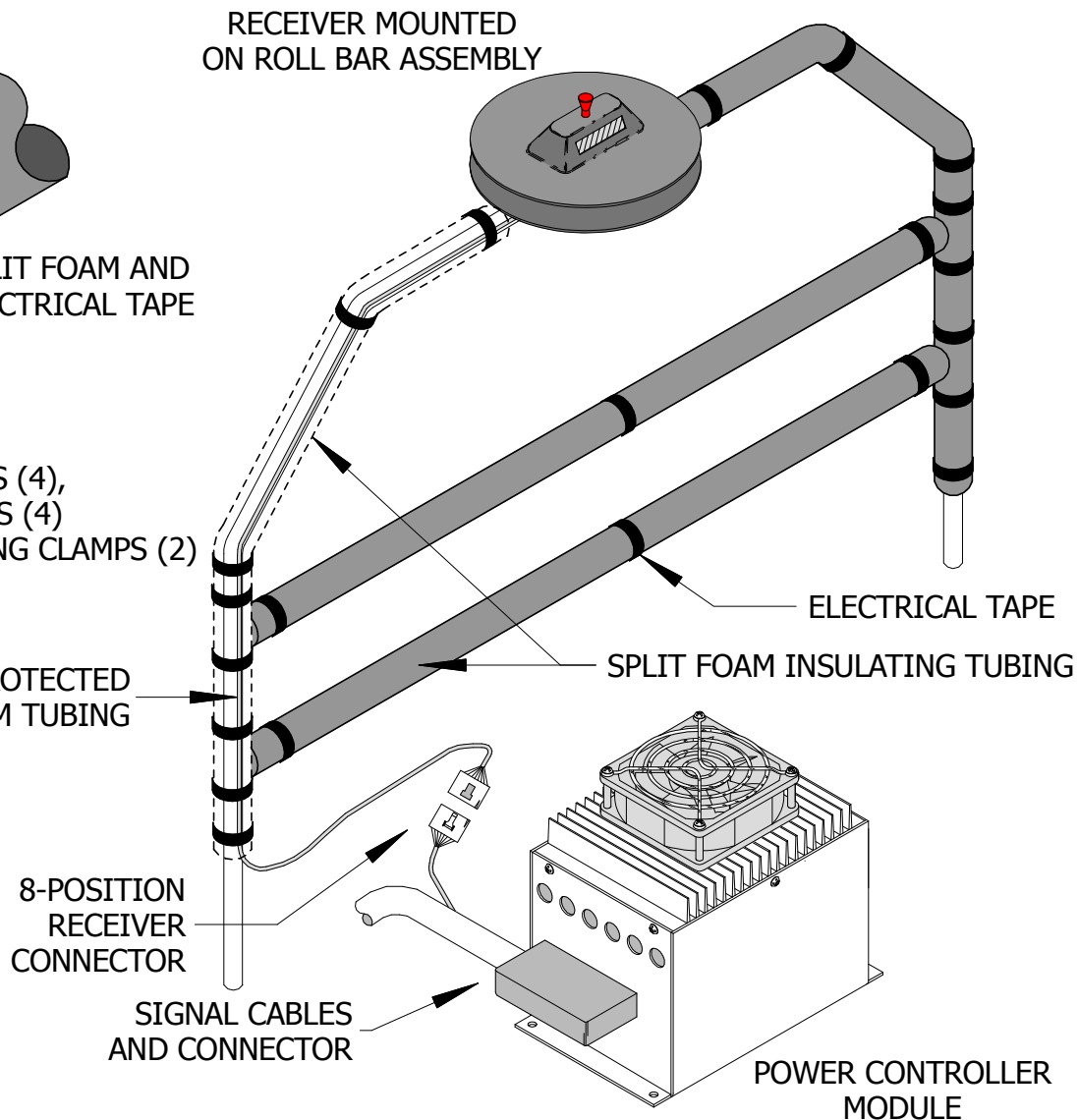


RECEIVER MOUNTING
DETAIL



RECEIVER MOUNTED
ON ROLL BAR ASSEMBLY



REPLACEMENT INSTRUCTIONS:

1. **CAUTION:** MAKE SURE BOTH 12 VOLT BATTERIES AND CHARGER ARE DISCONNECTED BEFORE PERFORMING THIS PROCEDURE.
2. Remove all electrical tape on the foam tubing covering the receiver signal cable shown in dashed lines above right. The foam tubing need not be removed from the roll bar framing.
3. Disconnect the 8-POSITION RECEIVER CONNECTOR by depressing the latch on the plug and pulling the two parts straight out.
4. The receiver signal cable can now be removed by drawing it out through the slit in the foam tubing.
5. Remove the four 10-24 SCREWS and CLAMPS securing the receiver to the roll bar assembly.
6. Install the replacement receiver in the reverse order.
DO NOT route the cable inside the mounting clamp.
7. Route the signal cable inside the split tubing all the way down to the POWER CONTROLLER area.
8. Reposition the tubing so that the split is toward the center of the roll bar assembly.
9. Secure the foam using electrical tape in the positions shown.
10. Connect the 8-POSITION CONNECTOR.
11. Reconnect the 12 Volt batteries. You are finished.

CUSTOMER SERVICE DRAWING	
TITLE KART INFRARED RECEIVER REPLACEMENT	
DATE DRAWN 12/15/09	PART NUMBER OINKA-1018-C/D
DRAWN BY JRN	REVISION A
APPROVED BY	SERVICE DRAWING NUMBER #SERV-0021